



Sailing Instructions

MASTERS EUROPEAN CHAMPIONSHIP 2021

23-29 July 2021

Venue: **Gargnano, Italy**

**Organizing Authority: Circolo Vela Gargnano (Host)
and EurILCA**

RULES

- 1.1 The regatta will be governed by the 'rules' as defined in the Racing Rules of Sailing.
- 1.2 Appendix P will apply as amended in instruction 18.
- 1.3 Appendix T (Arbitration) will apply.
- 1.4 In all rules governing this regatta;
 - (a) (DP) denotes a rule for which the penalty is at the discretion of the International Jury; and
 - (b) (NP) denotes a rule that shall not be grounds for protests by a boat. This changes RRS 60.1(a).
 - (c) (SP) Denotes a rule for which a standard penalty may be applied by the Race Committee without a hearing (this changes RRS A5).
- 1.5 (NP, DP) Advertising - The organizing authority may require competing boats to carry event sponsor advertising.
- 1.6 Rule 40.1 applies (Personal floatation device)
- 1.7 If there is a conflict between languages the English text will take precedence.

2. TIME SCHEDULE and LOCATIONS

Day	Time	Time	
23/07/2021	09:00-12:00	13:30-19:00	Equipment Inspection
	09:00-12:00	13:00-18:00	Race office open /Registration
24/07/2021	08:30-12:00	13:30-15:00	Equipment Inspection
	09:00-12:00	13:00-18:00	Race office open / Registration
24/07/2021	15:00		Practice race followed by welcome ceremony
25/07/2021	9:00		First warning signal. 2 races
26/07/2021	9:00		First warning signal. 2 races
27/07/2021	9:00		First warning signal. 2 races
28/07/2021	9:00		First warning signal. 2 races
29/07/2021	9:00		First warning signal. 2 races
29/07/2021		16:00	Later no more warning signals will be made

- 2.1 The Jury office is located Circolo vela Gargnano

- 2.2 The race office is located at Circolo vela Gargnano The flag Pole is near the race office.
- 2.3 On racing days the race office is open 2 hours before the start of the day if early morning and if it is a later start at 9 am until 30 minutes after the close of the protest time unless extended at the discretion of the race committee
- 2.4 Notices to competitors will be posted on the official Notice Board located online:
<https://www.racingrulesofsailing.org/documents/2309/event>

3. CHANGES TO SAILING INSTRUCTIONS

Any change to the sailing instructions will be posted before 7:30 on the day it will take effect, except that any change to the schedule of races will be posted before the end of the last protest time or 20:00, whichever is later, on the day before it will take effect.

4. REGISTRATION / EQUIPMENT INSPECTION

- 4.1 Competitors shall register at <https://www.slottr.com/sheets/18263081> and complete all required registration and equipment inspection formalities until end of registration. Competitors that do not complete all required registration and equipment formalities will not be assigned to fleets.
- 4.2 Information on equipment inspection will be posted on the official notice board. Boats shall be presented with all equipment that shall be used in the event, with the bottom mast, boom and all control lines rigged and with the sail and top section derigged ready for inspection.
- 4.3 Equipment inspection will take place at the boat park between the following dates and times mentioned in 2.
Equipment inspection outside these times will only be possible at the discretion of the event measurer and on payment of EUR 20.
- 4.4 Wet clothing, measurement and equipment checks may be made throughout the event at the discretion of the class representative, equipment inspector, race committee or the jury.

5. EQUIPMENT PROTESTS (NP, DP)

- 5.1 Equipment protests will only be accepted from the Technical committee. This changes RRS 60.1(a).
- 5.2 If a boat is sailed without a centreboard stopper, or with no mast retention line attached (class rule 3(b) xi), a scoring penalty of 30% of the score for did not finish rounded to a whole number (rounding 0.5 upward) will, without a hearing, be added to the boats score in the last completed race in which she was racing without a centreboard stopper or the retention line. However, she shall not be scored worse than DSQ. This changes RRS 63.1 and RRS A5.
- 5.3 If a sail, top mast, or bottom mast has been changed prior to a race without the permission required by instruction 6.3 the sailor will be disqualified without a hearing from the last completed race when the change was used. This changes RRS 63.1 and RRS A5.
- 5.4 For any other equipment protest, the jury may apply an alternative penalty to disqualification.
- 5.5 Competitors may wear a heart rate monitor which shall not be capable of displaying, delivering, transmitting, receiving, calculating, correlating or storing information about wind speed, wind direction, boat speed or boat position

6. BOATS AND EQUIPMENT (NP, DP)

- 6.1 The event will be sailed in Laser class boats as recognized by World Sailing, commonly sold under the brand name "ILCA" or "Laser". All boats must have a valid World Sailing Plaque attached in accordance with the ILCA class rules to the aft face of the cockpit.
- 6.2 Competitors shall use only one hull, sail, batten set, mast, boom, centerboard and rudder; all of which shall be identified during equipment inspection.
- 6.3 In the event of damage, boats and equipment may only be substituted with the written permission of the event technical committee. If the damage occurs less than 2 hours before the first scheduled start on a racing day, and before the start of the last race of the day, provisional verbal permission shall be obtained from the event technical committee, jury or race committee and the written permission of the event equipment inspector shall be applied for before the end of the protest time limit at the end of the day in which the substitution takes place
- 6.4 For the purposes of RRS G1.1, sails shall display the national letters of the World Sailing member national authority under which the entry was accepted (see NOR 3.1.) This changes RRS G1.1.
- 6.5 When ashore boats shall be kept in their assigned places at the venue.
- 6.6 Boats may be required to display identification numbers.
- 6.7 Boats may be required to carry cameras, sound equipment or positioning equipment as specified by the organizing authority.
- 6.8 Access to the boat park may be restricted during certain hours including the hours of darkness.

7. RACE FORMAT

- 7.1 The Laser Radial Masters and Apprentice Masters will sail together as a single fleet.
- 7.2 The Laser Radial Grand Masters, Great Grand Masters and Legends will sail together as a single fleet.
- 7.3 The Laser Standard Apprentice Masters and Masters will sail together as a single fleet.
- 7.4 The Laser Standard Grand Masters and Great Grand Masters will sail together as a single fleet.

8. Schedule of Races

See 2.1

- 8.1 Each day succeeding races will be started as soon as practicable after the finish of the previous race.
- 8.2 The schedule may be changed to sail more than two races a day.

9. FLEET IDENTIFICATION (NP, DP)

- 9.1 While racing each boat shall display a colored sleeve corresponding to the fleet to which she has been assigned. The band shall be placed on the bottom mast between the boom vang fitting and the boom.
- 9.2 For those who have not receives a colored band before this will be issued at registration and kept by the sailor at the end of the event in order to reuse them in other events.

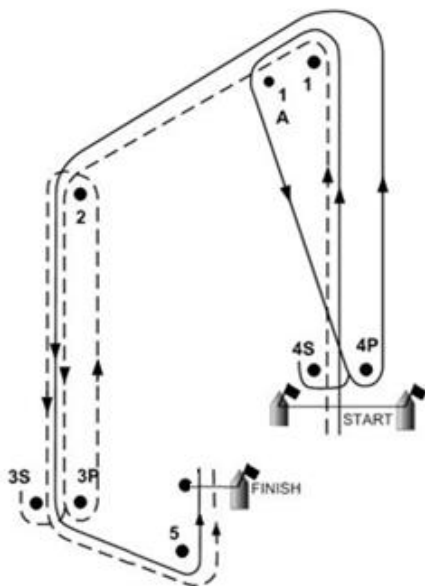
10. SIGNALS MADE ASHORE and RACING AREAS

- 10.1 Signals made ashore will be displayed on the flag poles located near Race office.
- 10.2 The approximate position of the racing areas will be published on the official notice board.
- 10.3 The racing area A flag is a flag with the letter A and the racing area B flag is a flag with the letter B.
- 10.4 Flag G displayed with two sounds (one when removed) means "No boat shall go afloat until this signal is removed. The first warning signal will be made not less than 60 minutes after flag G is removed.
- 10.5 When flag AP is displayed ashore, '1 minute' is replaced with 'not less than 60 minutes' in the race signal AP.
- 10.6 The starting area is the area within 100 metres of the starting line.
- 10.7 The racing area is the area within an imaginary line drawn 100 metres outside any point where a boat might sail during normal racing and includes the area bounded by marks 1, 2, 3S and 3P, 4S and 4P, 5 starting and finishing line at all times when any boat of any fleet is still racing.

11. THE COURSE

- 11.1 The diagram shows the course, the order in which marks are to be passed and the side on which each mark is to be left. The leg between marks 3S/3P and mark 5 may be laid shorter than the leg between mark 1 and mark 2 so that the finish line is not directly to leeward of the start line.

Outer:1, 2, 3S/3P (gate), 2, 3S/3P (gate), 5, FINISH
Inner:1, 1A, 4S/4P (gate), 1, 2, 3S/3P (gate), 5, FINISH



- 11.1 No later than the warning signal, the race committee signal vessel will display the approximate compass bearing of the first leg.
- 11.2 The length of the course will be set for a target time of 50 minutes. Failure to meet the target time will not be grounds for redress under RRS 62.1(a).
- 11.3 The course may be shortened to finish at a rounding mark or a gate provided 4 or more legs have been sailed on an outer course and at least 3 or more legs have been completed on an inner course (excluding the leg between mark 1 and mark 1A).

12. MARKS

- 12.1 Course marks 1 will be white and 1A, will be an orange windsock, 2 will be white, 3s, 3p, 4s, and 4p will be yellow buoys.
- 12.2 Course mark 5 will be an orange mark
- 12.3 New marks will be fuscia with sponsor sticker buoys.
- 12.4 The starting marks will be committee boat and an orange mark.
- 12.5 The finishing marks will be a committee boat and an orange mark.



- 12.6 All marks are electronic with that style but with different color except 1 A

13. THE START

- 13.1 To alert boats that a race or sequence of races will begin soon, the orange starting line flag will be displayed with one sound at least five minutes before a warning signal is made.
- 13.2 The warning signal for the subsequent starts will be made as soon as practicable after the previous start.
- 13.3 The starting line will be between staffs displaying orange flags on the starting marks.
- 13.4 (DP, NP) Boats whose warning signal has not been made shall avoid the starting area during start sequences for other fleets.
- 13.5 A boat starting later than 4 minutes after her starting signal will be scored DNS. This changes RRS A5.1 and A5.2

13.6 Racing Area

Fleets	Fleet Flags	Start Sequence	Course
Standard Apprentice Masters Standard Masters	Yellow ILCA	1 nd Start	Outer
Standard Grand Masters Standard Great Grand Masters s	White ILCA	2 nd Start	Outer
Radial Apprentices Radial Masters	Green ILCA	3 rd Start	Inner
Radial Grand Masters Radial Great Grand Masters Legends	Red	4 th Start	Inner

14. STARTING PROCEDURE

14.1 Races will be started using either RRS 30.3 (U Flag Rule), or RRS 30.4 (Black Flag Rule).

14.2 RRS 30.4 (Black Flag Rule) is supplemented as follows;

- (a) Sail numbers will be displayed for at least 3 minutes. A long sound signal will be made when the numbers are initially displayed. A boat whose number is so displayed shall leave the racing area, defined in instruction 10.7 before the new preparatory signal. If she fails to do so, she is liable to be scored DNE.
- (b) When the race committee decides that its application of RRS 30.4 might entitle a boat to redress under RRS 62.1(a), it may decide not to display her sail number and score her accordingly. This changes RRS 60.2, 63.1 and A5.1.

15. CHANGE OF THE NEXT LEG OF THE COURSE

A change of the next leg of the course will first be attempted by changing the position of the original marks. When this is not possible the course will be reset using one or more new marks (described in instruction 12). When new marks are already in use, the course may be further reset using the original marks.

16. ABANDONING A RACE

Under RRS 32.1, the race committee may abandon the race because of a major wind shift or irregular winds or when the wind speed drops below 5 knots (2.5 m/s) as measured by the race committee. Any action or no action by the race committee under this instruction will not be grounds for redress under RRS 60.1(b).

17. THE FINISH

The finishing line will be between two staff displaying a blue flag on the finish marks, except when RRS 32.2 'Shortening Course' applies.

18. PENALTY SYSTEM FOR BREACHES OF RULE 42

18.1 Appendix P will apply with the following changes:

- (a) If a first penalty is signalled after a boat has crossed the finish line, a scoring penalty of 10% of the score for did not finish rounded to a whole number (rounding 0.5 upward) will be added to the boats score. However, she shall not be scored worse than DSQ.
- (b) RRS P3 is replaced with "If a boat has been penalised for the first time under RRS P1.2 and the race is restarted or resailed the penalty is cancelled, but it is counted to determine the number of times she has been penalised during the event. This changes RRS 36."
- (c) RRS P4 is replaced with "An action by the jury under RRS P1.2 shall not be grounds for a request for redress by a boat. The jury may initiate a redress hearing and may give redress for an action under RRS P1.2 by a member of the jury or its designated observer". This changes RRS 60.1(b).

18.2 A boat that has either retired from or been disqualified in a race for a second or subsequent breach of RRS 42 shall not compete in that race if it is restarted or resailed. If she competes in that race, she shall be disqualified without a hearing and that score shall not be excluded (DNE) and the Jury will consider calling a hearing under RRS 69.1(a).

This means:

Yellow Flag	Immediate penalty action by boat	After a general recall or a postponement or an abandonment	No action by boat	After a general recall or a postponement or an abandonment
1st	Two turns / 10% (SI 18.1(a))	Can restart	DSQ	Can restart
2nd	Retire (RET)	Shall not restart	DNE	Shall not restart
3+	Retire (DNE)	Shall not restart	DNE Event	Shall not restart

19. TIME LIMIT

Boats failing to finish within 20 minutes after the first boat in her fleet sails the course and finishes will be scored Did Not Finish (DNF). This changes RRS 35, A5.1 and A5.2.

20. PROTESTS AND REQUESTS for REDRESS

- 20.1 If possible, protest shall be filed online within the protest time limit. Protest forms will be available at event web page. The protest time limit will be set by and posted on the official notice board and may be different for each fleet.
- 20.2 Protest notices will be posted within 30 minutes of the protest time limit for each fleet. Protests will be heard at the jury room.
- 20.3 On the last day of the qualifying series a request for a reopening of a hearing under RRS 66 shall be delivered:
 - within the protest time limit if the party requesting reopening was informed of the decision on the previous day;
 - no later than 30 minutes after the party requesting reopening was informed of the decision on that day.
 - If no racing has taken place on that day, no later than 30 minutes after 'AP over A' is displayed ashore.
- 20.4 On the last day of the qualifying series and on the last scheduled day of racing, a request for redress based on a jury decision under RRS 62.2 shall be delivered no later than 30 minutes after the decision was posted.
- 20.5 Decisions of the jury will be final as provided in RRS 70.5.
- 20.6 To request correction of an alleged error in posted race or series results, a boat shall complete a scoring enquiry form available at the event web page.
- 20.7 A list of boats that have been penalised for breaking RRS 42 will be posted after racing each day.

21. WHISTLE SYSTEM

To encourage boats to take penalties afloat, jury members blow a whistle when they see what they believe to be a breach of a rule.

22. SCORING

See NoR

23. TITLES & PRIZES

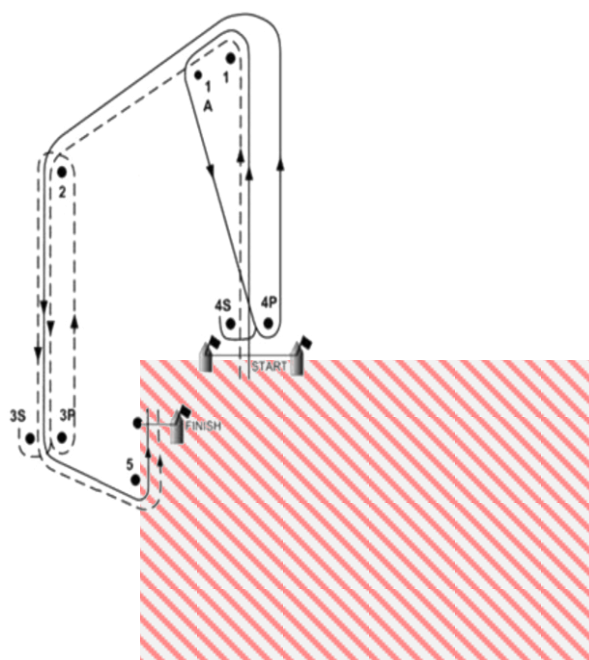
See NoR

EurILCA medals Prizes

- 23.1 EurILCA Medals will be awarded.

24. SUPPORT VESSELS AND COACHES/TEAM LEADERS MEETING (DP, NP)

- 24.1 There will be a coaches/team leaders/sailors meeting every morning from 25 July 2021, 1.5 hours before the first warning signal of the day. The objectives of these meetings are to receive feedback from the coaches on the event organization, exchange viewpoints and inform the coaches about changes in the sailing instructions and event organization in general.
- 24.2 All support vessels drivers shall confirm registration of their boats, submit the names and sail numbers of the sailors they are supporting at the race office until end of registration
- 24.3 Each support vessel shall clearly display an identification number supplied at registration by the OA. A fee of EUR 100 will be required for the identification number and use of the facilities of the harbor plus access to social activities.
- 24.4 Each support vessel shall carry at least three hazard warning tapes for the purposes of SI 25.5. The tape is available from the race office.
- 24.5 Each support vessel is required to carry a VHF radio capable of transmitting and receiving all international ship-to-ship channels.
- 24.6 VHF Channel TBA will be use as communication channel between Race Committee and coaches/team leaders on the water.
- 24.7 **Support vessel movement (NP)(DP)**
Except when participating in rescue operations support vessel shall stay outside the racing area during a race, that is from the time of the first warning signal until all boats have finished or the race committee signals a postponement or abandonment of all fleets without the intention to start a next race soon (orange down). In addition when any boat is racing between mark 5 and the finish support vessels shall remain 100m to windward of the finish line or when coming from mark 4 shall reduce to idle speed when crossing a line directly downwind starting at mark 5 (red zone)."



- 24.8 Support vessel drivers and crews shall wear a personal flotation device or other adequate personal buoyancy securely fastened at all times when afloat except briefly while changing or adjusting clothing or personal equipment. Wet suits and dry suits do not constitute adequate personal buoyancy. When the support vessel engine is running Support vessel drivers shall be connected to a device that will stop the engine if the boat driver falls out the boat or is otherwise not in control of the boat
- 24.9 When not in use, support vessels shall be appropriately berthed at the sailing venue in the allocated areas for support vessels for the entire time that these regulations apply.
- 24.10 Support vessels shall comply with local harbour and marina regulations, including speed limits.
- 24.11 If a support vessel does not comply with instructions 24.3, 24.4, 24.5, 24.6, 24.7, 24.8, 24.9, 24.10 a discretionary penalty may be applied by the jury to some or all associated competitors and may include restrictions on the movement of the support vessel. This changes RRS 63.9 and 64.5.

25. SAFETY (DP, NP)

- 25.1 Competitors who require assistance should wave one arm with hand open. If no assistance is required, the arm should be waved with fist closed.
- 25.2 If considered necessary a competitor may be ordered by a race organization boat to abandon his or her boat and board a patrol boat
- 25.3 Intentionally left blank
- 25.4 A boat that retires from a race shall notify a race committee, safety or jury vessel as soon as possible and the race office immediately after returning to the shore.
- 25.5 If a boat is abandoned it will be marked with a hazard tape tied through the bow eye to signal that the sailor is safe.

26. RUBBISH/TRASH DISPOSAL

Trash may be placed aboard support and race officials vessels.

27. PHOTOGRAPHY CONSENT

See NoR

28. LIABILITY

See NoR

29. COMMITTEE BOATS

- 29.1 All race committee vessels will display a RC or course identification flag
- 29.2 Jury boats will display a flag with the word J or JURY.
- 29.3 Press/TV vessels will display a flag with the words PRESS or MEDIA.
- 29.4 Failure of a committee vessel to fly an identifying flag will not be grounds for redress under RRS 60.1(b).